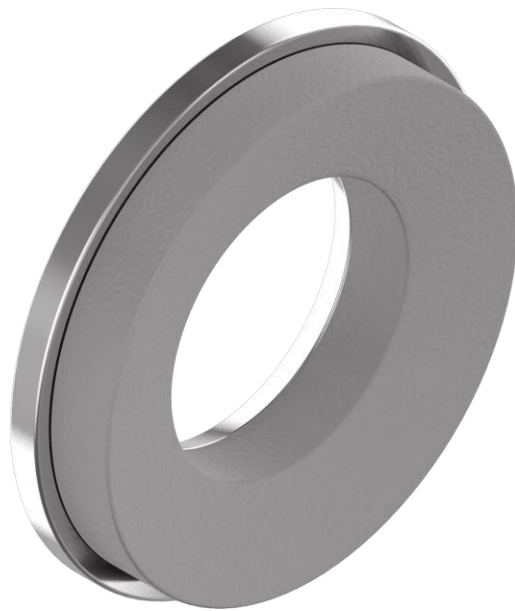


INOXMARE®

EPDM – SEALING WASHER



DATASHEET
ART. 9260

YOUR ACCESS TO SUCCESS

ART. 9260

TECHNICAL SPECIFICATIONS

Stainless steel sealing washer with EPDM gasket, for a safe and sealed bolted joint. It sustainably improves the dynamic strength of a connection. These sealing washers are used where water must not come through the fastening holes.

They can also be combined with commercially available screws for facade screw connections or trapezoidal sheet metal. The washer is made of stainless steel, the seal is made of EPDM, a high-quality ethylene-propylene-diene rubber (abbreviation EPDM).

Material	EPDM / Stainless steel
Quality	A2
Surface	Blank
Product class	A

YOUR ADVANTAGES



SEALED SCREW JOINT



DYNAMIC STRENGTH

PRACTICES



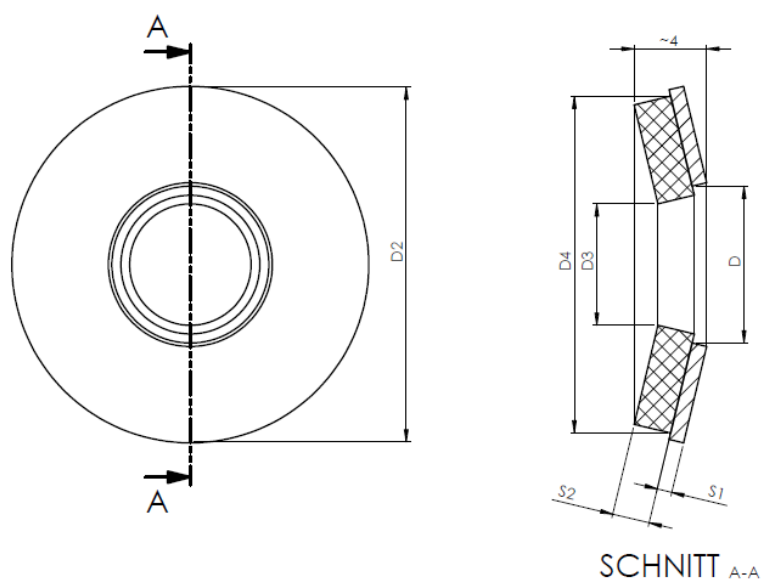
FACADE CONSTRUCTION



ROOF COVERS

WE'LL BE PLEASED TO ADVISE FOR YOUR APPLICATION.

DIMENSIONS (MM)



COD. ART.	Ø	D2	D3	D4	S1	S2
92605201402	5,2	14	3,8	13,5	0,8	2
92606801602	6,8	16	5,4	15,5	0,8	2
92606801902	6,8	19	5,4	18,5	0,8	2
92606802202	6,8	22	5,4	2,15	0,8	2
92606802502	6,8	25	5,4	24,5	0,8	2
92608401602	8,4	16	7,2	15,5	0,8	2
92608402202	8,4	22	7,2	21,5	0,8	2
92608402502	8,4	25	7,2	24,5	0,8	2
92608402902	8,4	29	7,2	28,5	0,8	2