

INOXMARE®

FINISHING WASHER SOLID METAL



DATASHEET
ART. 9255

YOUR ACCESS TO SUCCESS

ART. 9255

TECHNICAL SPECIFICATIONS

Material	Stainless steel
Quality	A4
Surface	Blank
Product class	A
Standard	INOX MARE

YOUR ADVANTAGES



EXCELLENT CORROSION RESISTANCE

› Only material A4 on stock

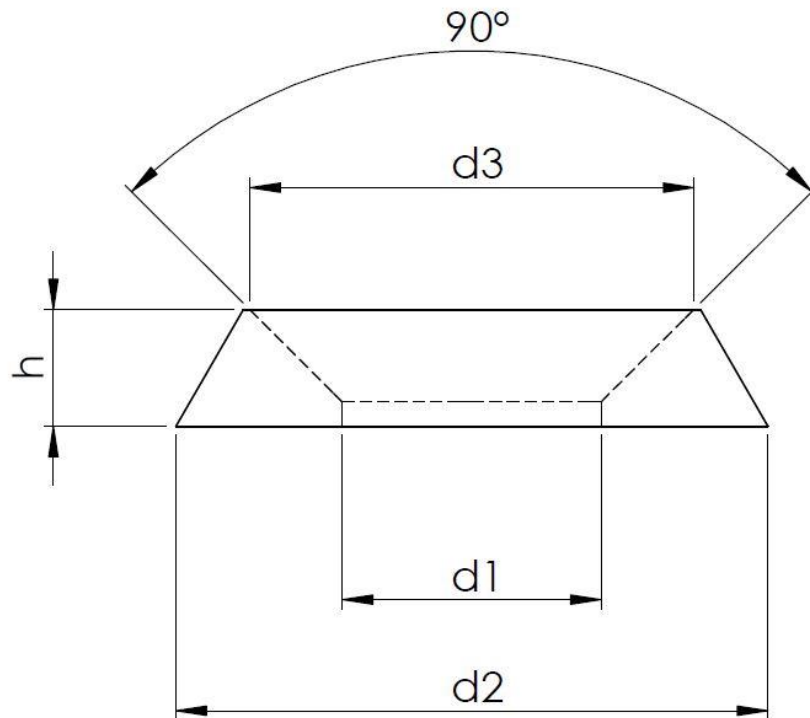
PRACTICES



FINISHING WASHER FOR COUNTERSUNK
SCREW

WE'LL BE PLEASED TO ADVISE FOR YOUR APPLICATION.

MEASUREMENTS (MM)



Diameter	d1	d2	d3	h
M3	3,70	9,10	6,60	2,00
M4	4,60	11,10	8,10	2,50
M5	5,60	14,10	10,10	3,00
M6	7,10	16,10	12,10	3,50
M8	9,10	22,10	16,10	4,50
M10	11,10	28,10	20,10	5,50
M12	14,10	32,10	24,10	6,50