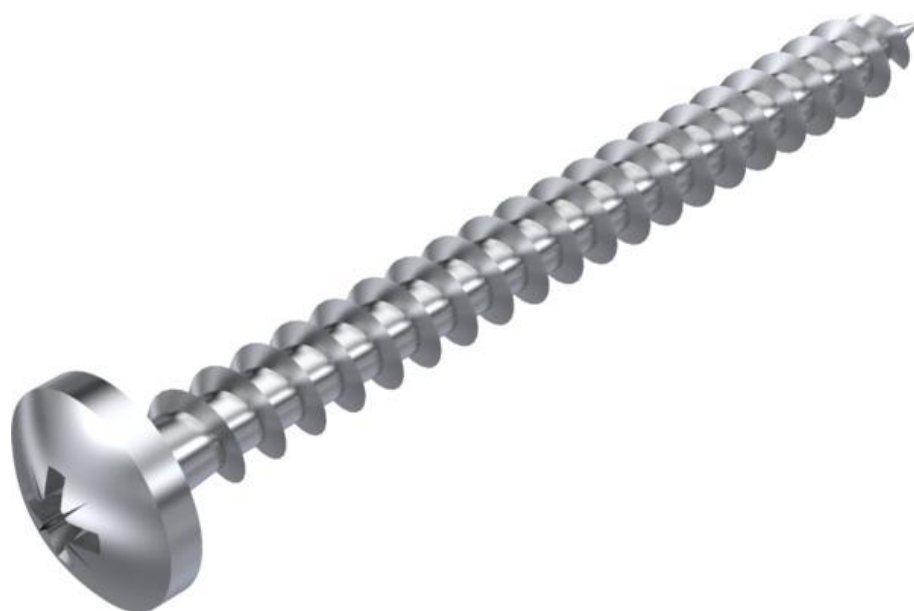


# INOXMARE®

## PANHEAD CHIPBORAD SCREWS Z, FULL THREAD



### DATASHEET ITEM 9110

FASTENERS | MARINE HARDWARE | FITTINGS | SOLAR

# ITEM 9110


## TECHNICAL SPECIFICATIONS


Pozi panhead chipboard screws are mainly used in timber construction for non-structural connections. Fully threaded screws for fastening fittings and hinges.

To avoid problems during use, it is recommended to pre-drill appropriately.

<b>Material</b>	stainless steel
<b>Quality</b>	A2
<b>Thread type</b>	wood thread
<b>Surface</b>	clean and bright

## YOUR ADVANTAGES

-  POZI-DRIVE = SCREWING IN SAFETY
  - › Increased torque without cam-out
  - › Greater surface contact engagement between the drive and the recess in the fastener head making it harder to slip when installed correctly

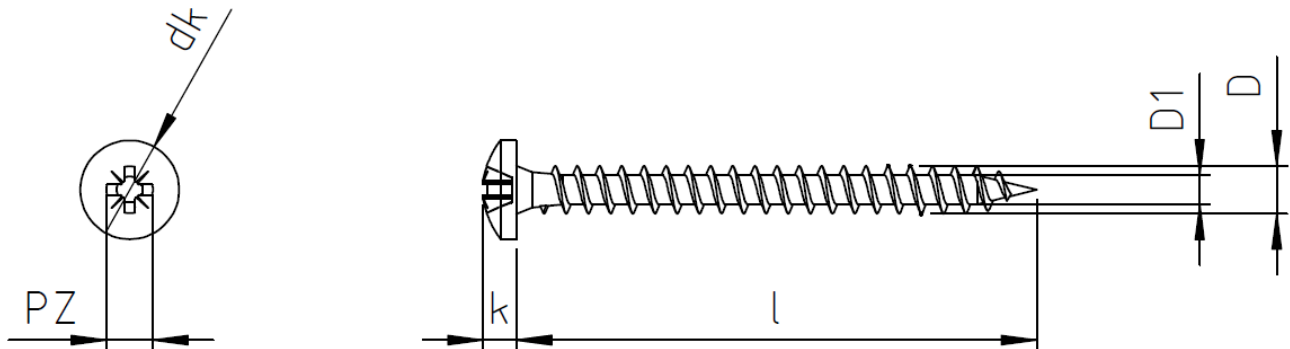
-  DOUBLE HEAD
  - › greater tightness


## PRACTICES

-  WOOD AND FURNITURE CONSTRUCTIONS

FASTENERS | MARINE HARDWARE | FITTINGS | SOLAR

# DIMENSIONS (MM)



Diameter D	3	3,5	4	4,5	5	6
k	2,10 – 2,50	2,20 – 2,60	2,60 – 3,00	2,70 – 3,10	3,30 – 3,70	4,00 – 4,40
dk	5,60 – 6,00	6,42 – 7,00	7,42 – 8,00	8,42 – 9,00	9,42 – 10,00	11,30 – 12,00
D <sub>1</sub>	1,80 – 2,00	2,00 – 2,20	2,30 – 2,50	2,50 – 2,70	2,80 – 3,10	3,50 – 3,80
Ø 	2	2	2	2	3	3
PZ	Z1	Z2	Z2	Z2	Z2	Z3

FASTENERS | MARINE HARDWARE | FITTINGS | SOLAR

## DIMENSIONS (MM)

Length l / Ø	3	3,5	4	4,5	5	6
10 ± 0,7	X					
12 ± 0,7	X	X	X			
13 ± 0,7	X	X	X	X		
16 ± 0,7	X	X	X	X		
20 ± 0,7	X	X	X	X	X	X
25 ± 1,0	X	X	X	X	X	X
30 ± 1,0	X	X	X	X	X	X
35 ± 1,0	X	X	X	X	X	X
40 ± 1,0		X	X	X	X	X
45 ± 1,0			X	X	X	X
50 ± 1,0		X	X	X	X	X
60 ± 1,2			X	X	X	X
65 ± 1,2					X	X
70 ± 1,2			X	X	X	X
75 ± 1,2			X	X	X	X
80 ± 1,2					X	X
90 ± 1,5					X	X
100 ± 1,5						X
110 ± 1,5						
120 ± 1,5						X

X = available ex stock

Further dimensions are available on request

FASTENERS | MARINE HARDWARE | FITTINGS | SOLAR

Via Pomposa, 51/i  
47924 - Rimini (RN) - ITALY

Tel. +390541.794444 Fax +390541.794490  
info@inoxmare.it - www.inoxmare.com