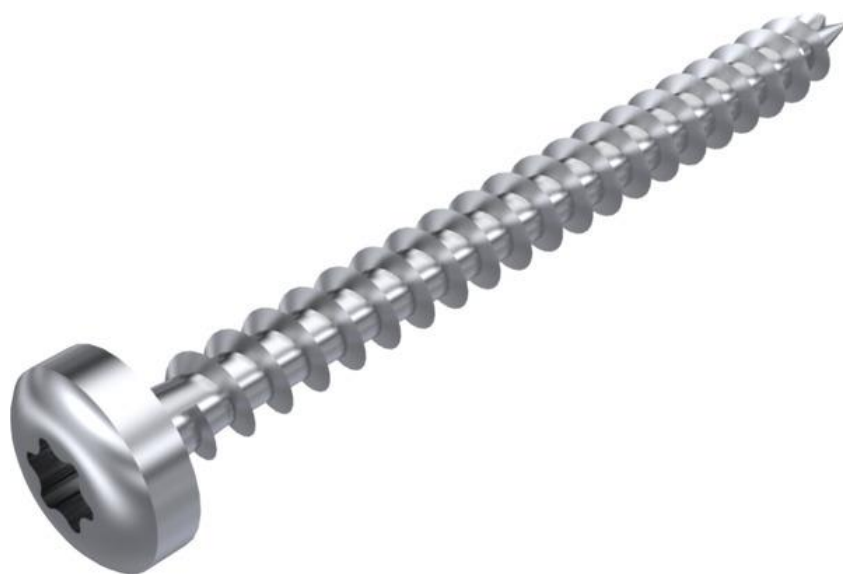


INOXMARE®

PANHEAD CHIPBOARD SCREWS TX, FULL THREAD



DATASHEET
ITEM 9112

FASTENERS | MARINE HARDWARE | FITTINGS | SOLAR

ITEM 9112

TECHNICAL SPECIFICATIONS

Panhead chipboard screws with TX drive are mainly used in general timber construction for various types of timber constructions. The Panhead serves a purely decorative purpose. Full-thread screws are particularly

suitable for fastening fittings and hinges. In order to prevent splicing and splintering, we recommend pre-drilling accordingly.

Material	stainless steel
Quality	A2
Thread type	wood thread
Surface	clean and bright
Hexalobular internal drive	ISO 10664

YOUR ADVANTAGES



TX-DRIVE = FASTER SCREWING

- › Improved torque transmission
- › Optimal centering
- › Minimises drive and bit wear



UNIVERSALLY APPLICABLE

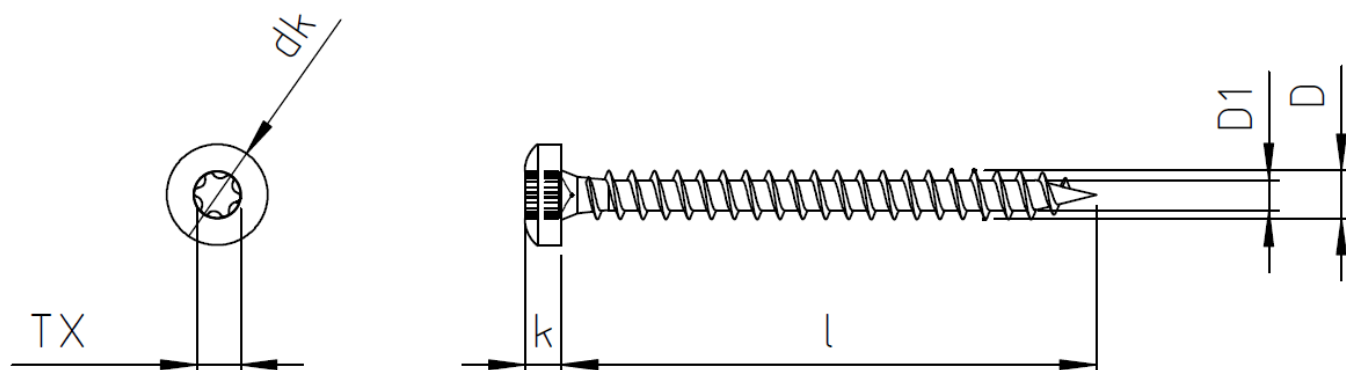
PRACTICES



WOOD AND FURNITURE CONSTRUCTIONS

FASTENERS | MARINE HARDWARE | FITTINGS | SOLAR

DIMENSIONS (MM)



Diameter D	3	3,5	4	4,5	5	6
k	2,10 – 2,50	2,20 – 2,60	2,60 – 3,00	2,70 – 3,10	3,30 – 3,70	4,00 – 4,40
dk	5,60 – 6,00	6,60 – 7,00	7,50 – 8,00	8,50 – 9,00	9,50 – 10,00	11,50 – 12,00
D ₁	1,73 – 1,92	1,81 – 2,11	2,11 – 2,36	2,59 – 2,74	2,85 – 3,10	3,51 – 3,76
Ø 	2	2	2	2	3	3
TX	TX 10	TX 10	TX 20	TX 20	TX 25	TX 25

FASTENERS | MARINE HARDWARE | FITTINGS | SOLAR

DIMENSIONS (MM)

Length l / Ø	3	3,5	4	4,5	5	6
10 ± 1,05	X					
12 ± 1,05	X	X	X			
13 ± 1,05	X	X	X			
16 ± 1,05	X	X	X	X	X	X
20 ± 1,05	X	X	X	X	X	X
25 ± 1,05	X	X	X	X	X	X
30 ± 1,05	X	X	X	X	X	X
35 ± 1,25	X	X	X	X	X	X
40 ± 1,25	X	X	X	X	X	X
45 ± 1,25	X	X	X	X	X	X
50 ± 1,25	X	X	X	X	X	X
60 ± 1,50			X	X	X	X
70 ± 1,50			X	X	X	X
80 ± 1,50			X	X	X	X
90 ± 1,75					X	X
100 ± 1,75					X	X
110 ± 1,75					X	X
120 ± 1,75					X	X
130 ± 1,75					X	X

X = available ex stock

Further dimensions are available on request

FASTENERS | MARINE HARDWARE | FITTINGS | SOLAR