

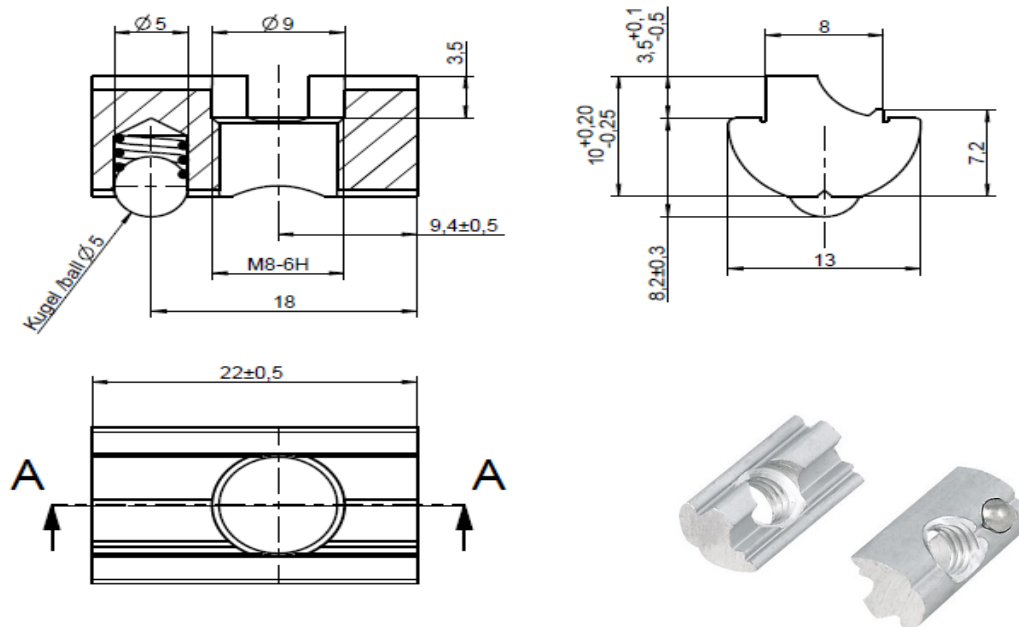
ART. 9431

Tassello scorrevole M 8, corpo Alluminio e sfera aisi 304 / A2

Sliding block M 8, Aluminum body and aisi 304 / A2 sphere

Codice Articolo Number	Box	Master carton	Pallet
94311301002	100	2500	75000

A-A  
2:1



Materiale /material:

Tassello scorrevole/Slot nut: EN AW 6061/ AS 6061 o equivalente/ or equal

Sfera/ ball: 1.4301/ EN 100088-1 / AISI 304 o equivalente/ or equal

Molla/ spring: 1.4310/ EN 10088-1/ AISI 301 o equivalente/ or equal