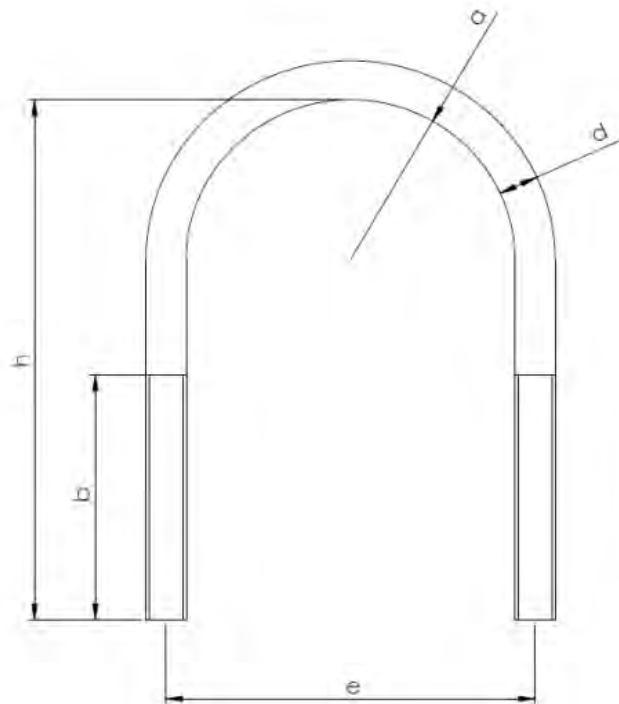
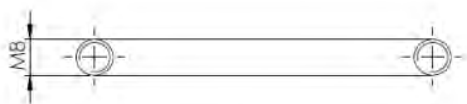


Cavallotto in acciaio inox filettato per tubi
Stainless Steel strap (U-bolt)

art.9440 sim. DIN 3570

dimensioni in mm
 Dimensions in mm

Grado A2
 Grade A2



dadi e rondelle sono venduti separatamente
nuts and washers sold separately

Art-Nr.	d		a		h		b		e	
94400803802	7,10		23,0		38,0		20,0		31,0	
	7,07	7,10	22,0	24,0	37,0	39,0	19,0	21,0	30,0	32,0
94400804602	7,10		28,0		46,0		20,0		36,0	
	7,07	7,10	27,0	29,0	45,0	47,0	19,0	21,0	35,00	37,00
94400805002	7,10		35,0		50,0		25,0		43,0	
	7,07	7,10	34,0	36,0	49,0	51,0	24,0	26,0	42,0	44,0
94400806002	7,10		42,0		60,0		30,0		50,0	
	7,07	7,10	41,0	43,0	59,0	61,0	29,0	31,0	49,0	51,0
94400808002	7,10		35,0		80,0		35,0		43,0	
	7,07	7,10	34,0	36,0	79,0	81,0	34,0	36,0	42,0	44,0
94400811002	7,10		65,0		110,0		50,0		73,0	
	7,07	7,10	64,0	66,0	109,0	111,0	49,0	51,0	72,0	74,0
94400812002	7,10		82,0		120,0		50,0		90,0	
	7,07	7,10	81,0	83,0	119,0	121,0	49,0	51,0	89,0	91,0

last edit 11/11/2021

DRAWING N. 1205